

Cable gland series NEVB for armoured cables from 3/8" to 4"

The NEVB series barrier cable glands for armored cable are designed to guarantee the IP66/67 protection and the explosion protection 'Ex db IIC; Ex eb IIC' in applications where installation requirements are needed in accordance with the EN - IEC 60079-14: 2015 standard. The barrier is shaped around the conductors thanks to the particular mixture that flows through them in the special bushing ensuring a complete seal. The liquid resin used prevents the formation of air pockets or voids between the conductors and the bushing (typical problems found with malleable resins). The NEVB series cable glands are supplied with the special resin kit.



Classification: 2014/34/EU	Group II	Category 2GD/3G
Installation: EN 60079.14	zone 1 - zone 2 (Gas)	zone 21 - zone 22 (Dust)
Marking:	CE 0722 Ex II 2 GD - Ex db IIC Gb - Ex eb IIC Gb II 2 D - Ex tb IIC Db II 3G Ex nR IIC Gc	
Certification:	ATEX (category 2):	IMQ 19 ATEX 019X
	ATEX (category 3):	IMQ 19 ATEX 020X
	IEC Ex	IECEX IMQ 19.0003X All IEC Ex certification data can be contact comm@antideflagranticge.com
	TR CU	Work in progress
Standards:	CENELEC EN 60079-0: 2012+A11:2013, EN 60079-1: 2016, EN 60079-7: 2015, EN 60079-15: 2012, EN 60079-31: 2015 ed alla DIRETTIVA EUROPEA 2014/34/UE IEC60079-0: 2011, IEC60079-1: 2014, IEC60079-7: 2015, IEC60079-15: 2015, IEC60079-31: 2013 Direttiva RoHS 2002/95/CE	
Operating temperature:	-60°C +100°C	
Protection rating:	IP66/67	
Design	BS 6121: Part 1:1989, IEC 62444, EN 62444	

Certificates are available on comm@antideflagranticge.com

ACCESSORIES UPON REQUEST

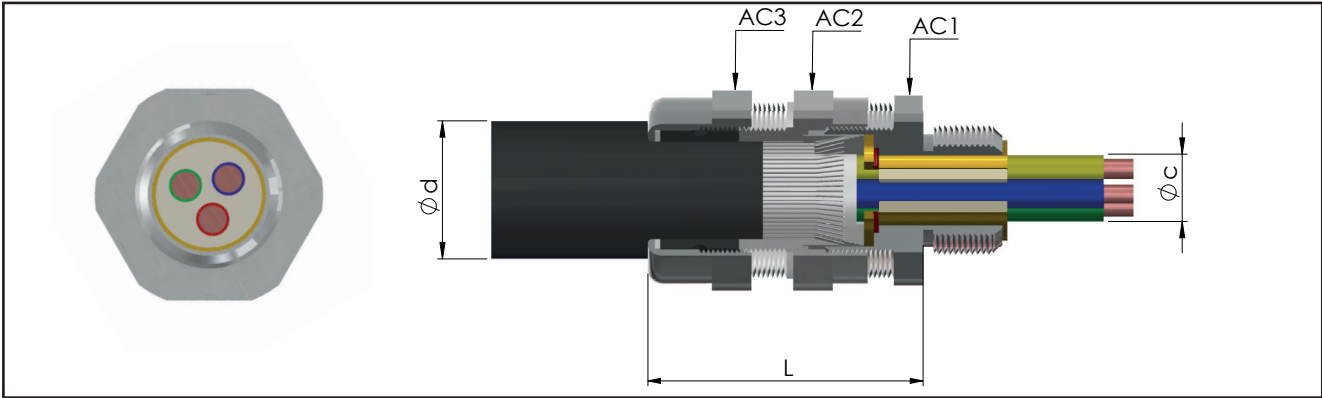
Locknuts	ISO thread	Nickel-plated brass	Galvanized steel	Stainless steel	Black TPV protector	Cableglands	Code	
	M16x1,5	DL01IB	DL01IG	DL01IS		NEVB01NB	NEVB16IB	PGA1F
	M20x1,5	DL11IB	DL11IG	DL11IS		NEVB1SNB	NEVB20SIB	PGA1N
	M25x1,5	DL21IB	DL21IG	DL21IS		NEVB1NB	NEVB20IB	PGA1
	M32x1,5	DL31IB	DL31IG	DL31IS		NEVB2NB	NEVB25IB	PGA2N
	M40x1,5	DL41IB	DL41IG	DL41IS		NEVB3NB	NEVB32IB	PGA4
	M50x1,5	DL51IB	DL51IG	DL51IS		NEVB4NB	NEVB40IB	PGA4
	M63x1,5	DL61IB	DL61IG	DL61IS		NEVB5SNB	NEVB50SIB	PGA5
	M75x1,5	DL71IB	DL71IG	DL71IS		NEVB5NB	NEVB50IB	PGA5N
	M90x1,5	DL81IB	DL81IG	DL81IS		NEVB6SNB	NEVB63SIB	PGA6
	M100x1,5	DL10IB	DL10IG	DL10IS		NEVB6NB	NEVB63IB	PGA7
M115x1,5	DL115IB	DL115IG	DL115IS	NEVB7SNB	NEVB75SIB	GTR7 Heat shrinkable		
				NEVB7NB	NEVB75IB			
				NEVB8NB	NEVB90IB			
				NEVB9NB	NEVB100IB			
				NEVB10NB	NEVB115IB			

Nickel-plated brass earthing rings	ISO thread	Nickel-plated brass	Stainless steel	Serrated stainless steel lock washers	Code	Adapters and reducers of the RE... series
	M16x1,5	A0131B	A0131S		RD101S/A4	
	M20x1,5	A1311B	A1311S		RD11S/A4	
	M25x1,5	A2312B	A2312S		RD12S/A4	
	M32x1,5	A3313B	A3313S		RD13S/A4	
	M40x1,5	A4314B	A4314S		RD14S/A4	
	M50x1,5	A5315B	A5315S		RD15S/A4	
	M63x1,5	A6316B	A6316S		RD16S/A4	
	M75x1,5	A731B	A731S			
	M90x1,5	A831B	A831S			
	M100x1,5	A10310IB	A10310IS			
M115x1,5	A1031B	A1031S				

* For different threads, contact the sales department.



Cable gland series NEVB for armoured cables from 3/8" to 4"



CABLE GLAND SELECTION TABLE

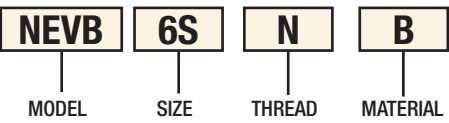
Code Nickel-plated brass	Thread	Code Nickel-plated brass	Thread	Dimensions in mm				Range			Peso Kg	Q.ty of resin ml ***
				AC1	AC2	AC3	L	Ød cable max	Øc over cores	n. max cable **		
NEVB01NB	3/8" NPT	NEVB16IB	M16x1,5	24	24	24	52	6 - 13.2	5.5	11	0,159	1.3
NEVB1SNB	1/2" NPT	NEVB20SIB	M20x1,5	24	26	26	53	9.5 - 16	10	11	0,172	3.7
NEVB1NB	1/2" NPT	NEVB20IB	M20x1,5	30	32	32	59	12.5 - 21	11	11	0,236	4.2
NEVB2NB	3/4" NPT	NEVB25IB	M25x1,5	36	38	38	55	20 - 27.5	15	21	0,287	8.3
NEVB3NB	1" NPT	NEVB32IB	M32x1,5	45	47	47	63	23.5 - 34	21	38	0,476	15
NEVB4NB	1 1/4" NPT	NEVB40IB	M40x1,5	50	52	52	65	26 - 40	27	59	0,565	24
NEVB5SNB	1 1/2" NPT	NEVB50SIB	M50x1,5	55	57	57	69	35 - 46.5	33	89	0,671	36
NEVB5NB	2" NPT	NEVB50IB	M50x1,5	60	62	62	69	38 - 53	35	89	0,618	41
NEVB6SNB	2" NPT	NEVB63SIB	M63x1,5	68	75	77	81	45.5 - 59.5	43	115	1,266	65
NEVB6NB	2 1/2" NPT	NEVB63IB	M63x1,5	73	80	82	83	54.5 - 66	45	115	1,210	70
NEVB7SNB	2 1/2" NPT	NEVB75SIB	M75x1,5	80	85	90	87	57 - 72	53	140	1,438	98
NEVB7NB	3" NPT	NEVB75IB	M75x1,5	85	95	100	88	66.5 - 78.5	55	140	1,691	101
NEVB8NB	3" NPT	NEVB90IB	M90x1,5	100	105	110	92	76.5 - 90	65	200	2,200	145
NEVB9NB	3 1/2" NPT	NEVB100IB	M100x1,5	115	120	120	100	86 - 101	72	200	2,619	188
NEVB10NB	4" NPT	NEVB115IB	M115x1,5	120	125	130	100	100 - 110	85	200	3,061	254

* Dimensions with threaded: NPT / ISO.

** At least 20% of the internal section of the bushing must be filled with resin.

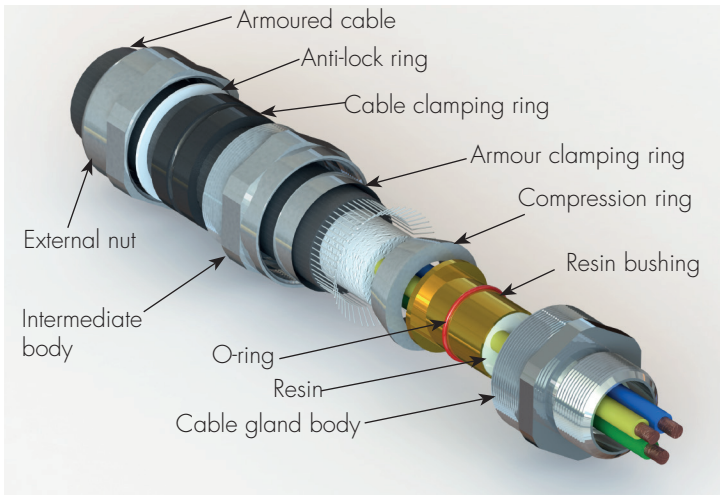
*** Maximum quantity of resin calculated with completely empty bushing.

Sample order code of the cable gland



Don't forget to order the resin kit with two-component resin:

- 25 ml resin bag code BOND-B-25
- 100 ml resin bag code BOND-B-100
- 40 ml cartridge + mixing nozzle code BOND-C (manual dispenser supplied as an option code DISP-C)



TECHNICAL NOTES:

- Silicone o-rings are supplied for cylindrical threads (ISO metric) for the pre-assembled IP seal on the cable gland.
- The ISO7/1 thread version is available upon request (sample code NEVB1B).
- Also available in stainless steel AISI 316 (sample code NEVB1S).
- Other materials on request.
- For "Ex i" intrinsic safety version, RAL 5015 blue nut (sample code NEVB1IA).

