

REDUCER MALE / FEMALE

RE Series

Explosion proof reducer from male to female thread.

Features

Material used: nickel plated brass CW614N

Operating temperature: -40°C up to 100°C with EPDM sealing rings

NPT thread: from 1/4" up to 3"

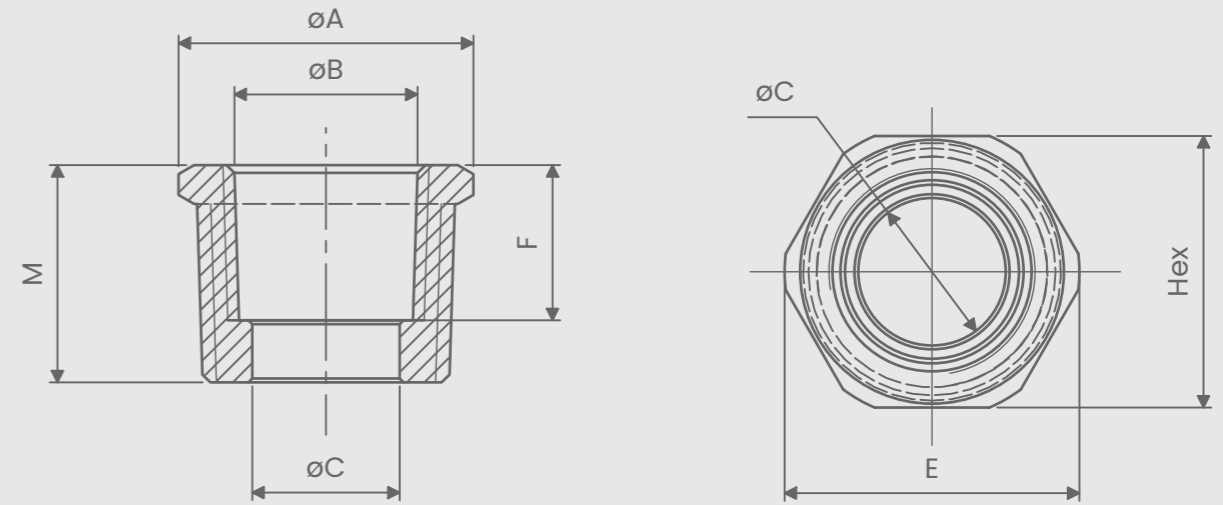
ISO 262 thread: from M12x1.5 up to M90x1.5

Degree of protection: IP66



REDUCER MALE / FEMALE

NPT - NPT



ATEX & IECEx Equipment Data

Gas	Group II Zone 1	Ex db I Mb Ex db IIC Gb Ex eb IIC Gb
Dust	Group II Zone 21	Ex tb IIIC Db IP66

ATEX Certificate

INERIS 14 ATEX 0029X

IECEx Certificate

IECEx INE 14.0038X

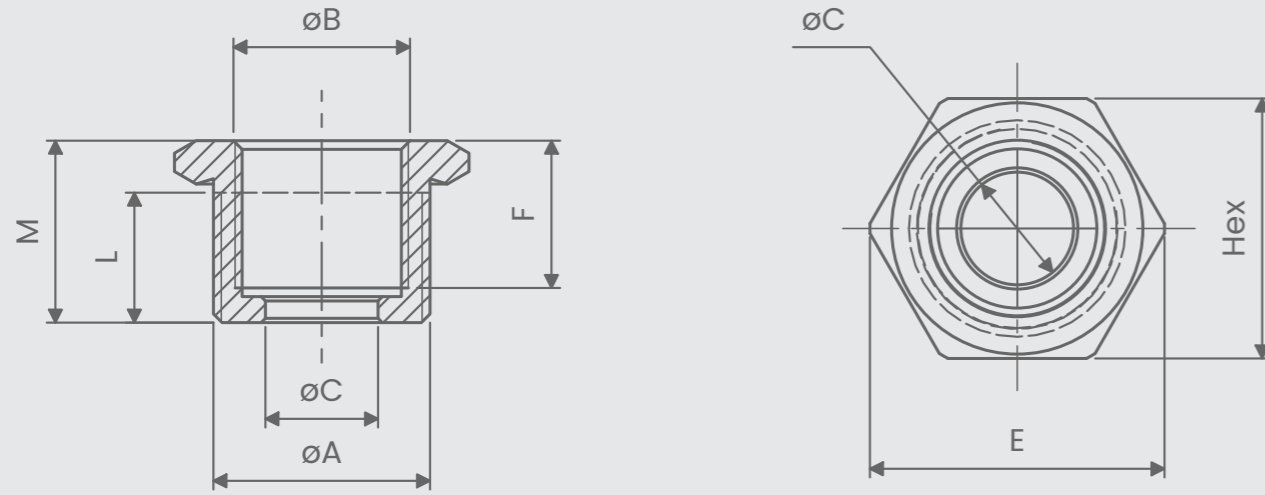
Options available

- Stainless steel AISI 316L construction
- Stainless steel AISI 317L construction (available on demand)
- CW724R Brass (Lead <0,1%) (available on demand)
- Red silicon sealings rings, fluorosilicone sealings rings and teflon washer with operating temperature range from -60°C up to 180°C

Code	$\varnothing A$	$\varnothing B$	M	F	Hex	$\varnothing C$	E
RE138B	1/2"	3/8"	22	19	24	10	27
RE21B	3/4"	1/2"	23	20	28	13	31
RE31B	1"	1/2"	28	20	35	13	38
RE32B	1"	3/4"	28	20	35	19	38
RE42B	1.1/4"	3/4"	29	20	44	19	48
RE43B	1.1/4"	1"	29	25	44	25	48
RE53B	1.1/2"	1"	29	25	50	25	54
RE54B	1.1/2"	1.1/4"	29	25	50	32	54
RE64B	2"	1.1/4"	30	25	62	32	67
RE65B	2"	1.1/2"	30	25	62	38	67

REDUCER MALE / FEMALE

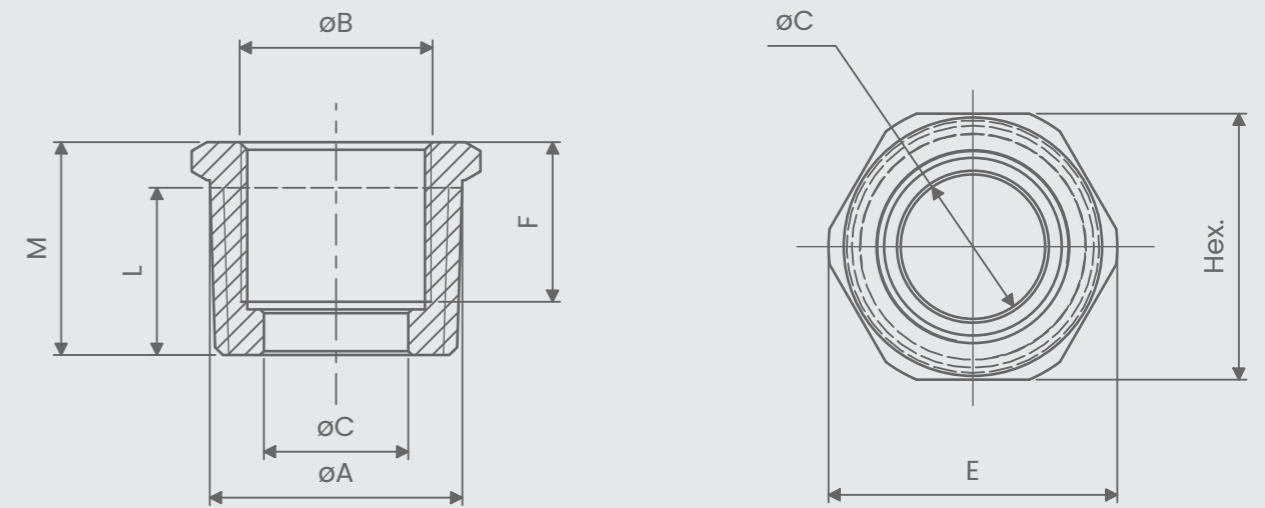
ISO - ISO



Code	Ø A	Ø B	M	F	L	Hex	øC	E
RE2016B	M20x1.5	M16x1.5	20	16	17	26	10	28
RE2520B	M25x1.5	M20x1.5	21	17	18	30	13	34
RE3220B	M32x1.5	M20x1.5	21	17	18	38	13	42
RE3225B	M32x1.5	M25x1.5	21	17	18	38	19	42
RE4025B	M40x1.5	M25x1.5	24	20	18	46	19	50
RE4032B	M40x1.5	M32x1.5	24	20	18	46	25	50
RE5032B	M50x1.5	M32x1.5	24	20	18	56	25	60
RE5040B	M50x1.5	M40x1.5	24	20	18	56	32	60
RE6340B	M63x1.5	M40x1.5	25	20	18	70	32	75
RE6350B	M63x1.5	M50x1.5	25	20	18	70	42	75

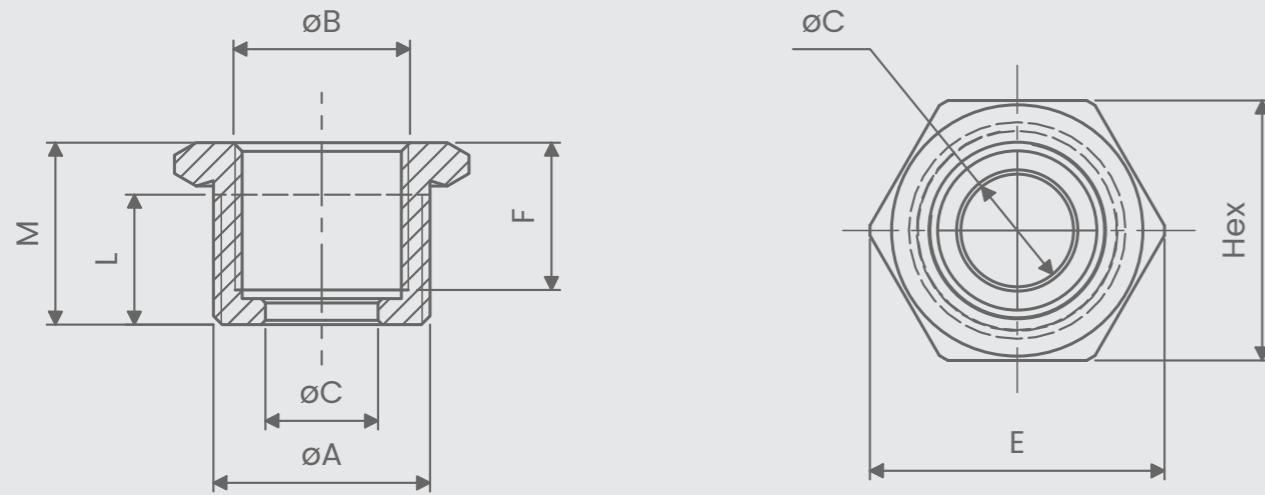
REDUCER MALE / FEMALE

NPT - ISO



Code	Ø A	Ø B	M	F	L	Hex	øC	E
REIN16MB	1/2"	M20x1.5	22	18	17	22	10	24
RE2N20MB	3/4"	M20x1.5	23	19	17	28	13	31
RE3N20MB	1"	M20x1.5	28	21	22	35	13	38
RE3N25MB	1"	M25x1.5	28	21	22	35	19	38
RE4N25MB	1.1/4"	M25x1.5	29	22	23	44	19	48
RE4N32MB	1.1/4"	M32x1.5	29	22	23	44	25	48
RE5N32MB	1.1/2"	M32x1.5	29	22	23	50	25	54
RE5N40MB	1.1/2"	M40x1.5	29	22	23	50	32	54
RE6N40MB	2"	M40x1.5	30	22	23	62	32	67
RE6N50MB	2"	M50x1.5	30	22	23	62	42	67

ISO - NPT



Code	Ø A	Ø B	M	F	L	Hex	øC	E
RE20M38NB	M20x1.5	3/8"	20	16	15	26	10	28
RE25M1NB	M25x1.5	1/2"	20	17	15	30	13	34
RE32M1NB	M32x1.5	1/2"	22	17	15	38	13	42
RE32M2NB	M32x1.5	3/4"	22	17	15	38	19	42
RE40M2NB	M40x1.5	3/4"	24	19	18	46	19	50
RE40M3NB	M40x1.5	1"	27	24	18	46	25	50
RE50M3NB	M50x1.5	1"	27	24	18	56	25	60
RE50M4NB	M50x1.5	1.1/4"	27	24	18	56	32	60
RE63M4NB	M63x1.5	1.1/4"	27	24	18	70	32	75
RE63M5NB	M63x1.5	1.1/2"	27	24	18	70	38	75

REDUCER FEMALE / MALE

REB Series

Explosion proof reducer from female to male thread.

Features

Material used: nickel plated brass CW614N

Operating temperature: -40°C up to 100°C with EPDM sealing rings

NPT thread: from 1/4" up to 3"

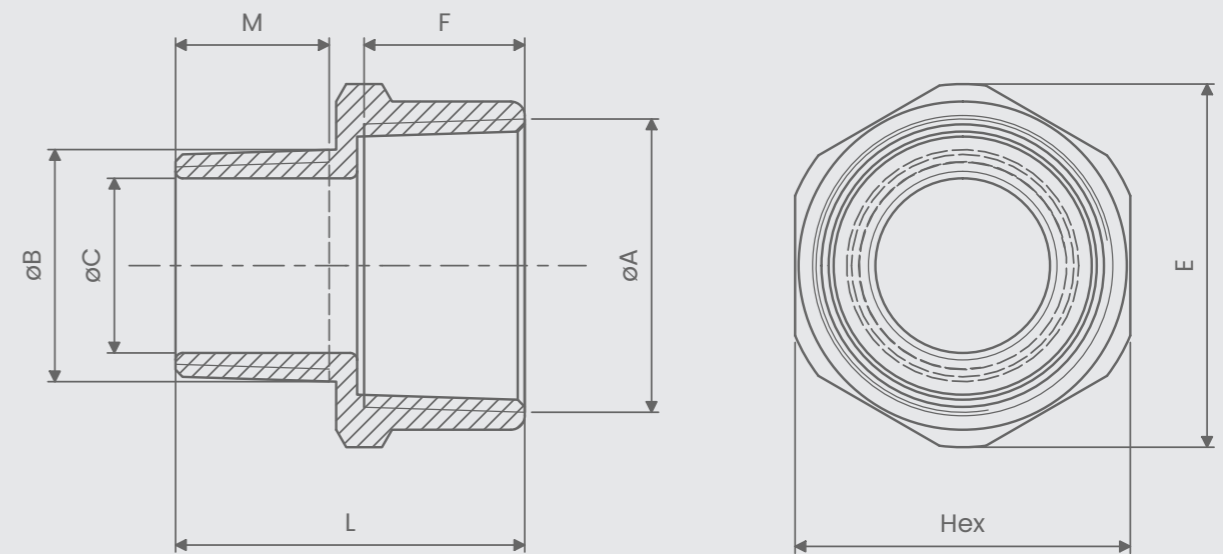
ISO 262 thread: from M12x1.5 up to M90x1.5

Degree of protection: IP66



REDUCER FEMALE / MALE

NPT - NPT



ATEX & IECEx Equipment Data

Gas	Group II Zone 1	Ex db I Mb Ex db IIC Gb Ex eb IIC Gb
Dust	Group II Zone 21	Ex tb IIIC Db IP66

ATEX Certificate

INERIS 14 ATEX 0029X

IECEx Certificate

IECEx INE 14.0038X

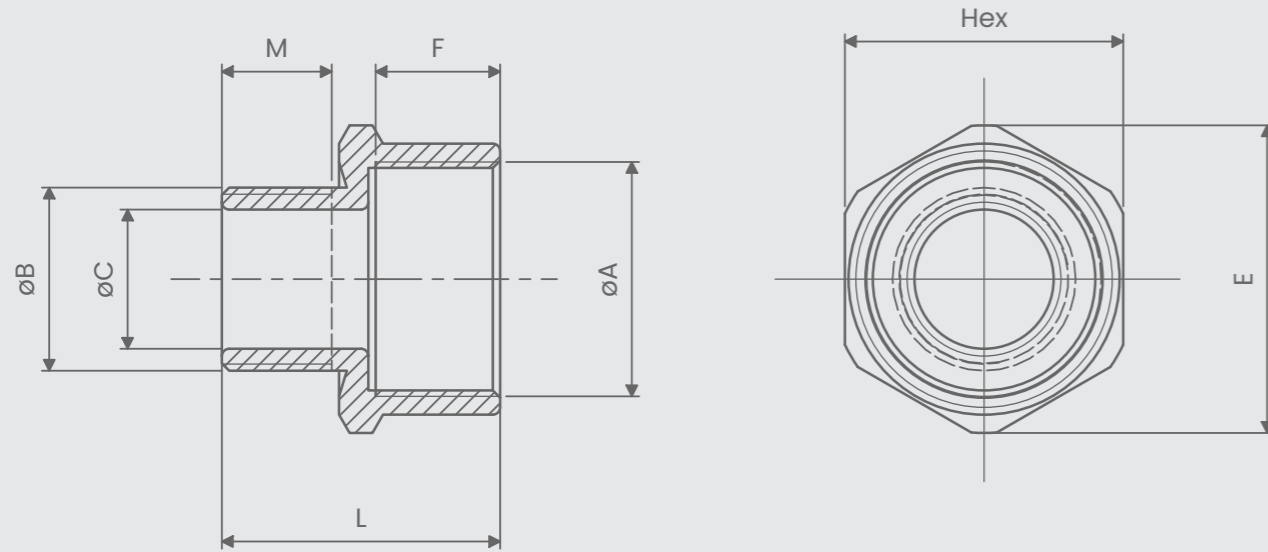
Options available

- Stainless steel AISI 316L construction
- Stainless steel AISI 317L construction (available on demand)
- CW724R Brass (Lead <0,1%) (available on demand)
- Red silicon sealings rings, fluorosilicone sealings rings and teflon washer with operating temperature range from -60°C up to 180°C

Code	ØA	ØB	M	F	L	ØC	Hex	E
REB138B	1/2"	3/8"	15	16	38	10	24	27
REB21B	3/4"	1/2"	17	16	40	13	30	34
REB31B	1"	1/2"	17	21	45	13	38	42
REB32B	1"	3/4"	17	19	45	19	38	42
REB43B	1.1/4"	1"	23	24	50	25	48	52
REB54B	1.1/2"	1.1/4"	23	24	50	32	52	58
REB65B	2"	1.1/2"	23	24	50	38	64	70

REDUCER FEMALE / MALE

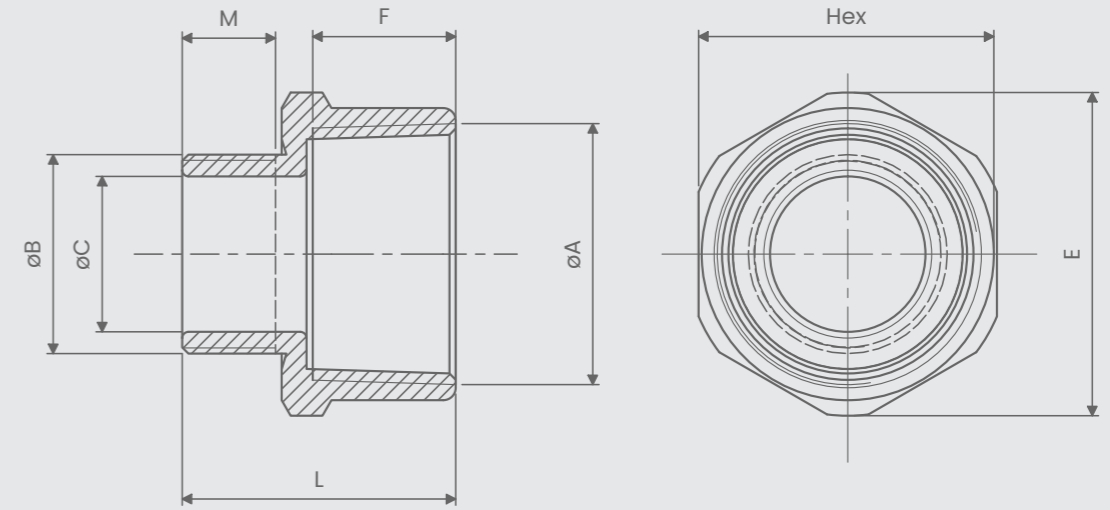
ISO - ISO



Code	Ø A	Ø B	M	F	L	Hex	ØC	E
REB2016B	M20x1.5	M16x1.5	15	17	38	27	10	30
REB2520B	M25x1.5	M20x1.5	15	17	38	30	13	33
REB3220B	M32x1.5	M20x1.5	15	17	38	38	13	42
REB3225B	M32x1.5	M25x1.5	15	17	38	38	19	42
REB4032B	M40x1.5	M32x1.5	15	19	40	46	25	50
REB5040B	M50x1.5	M40x1.5	17	19	42	56	32	60
REB6350B	M63x1.5	M50x1.5	17	19	42	70	42	75

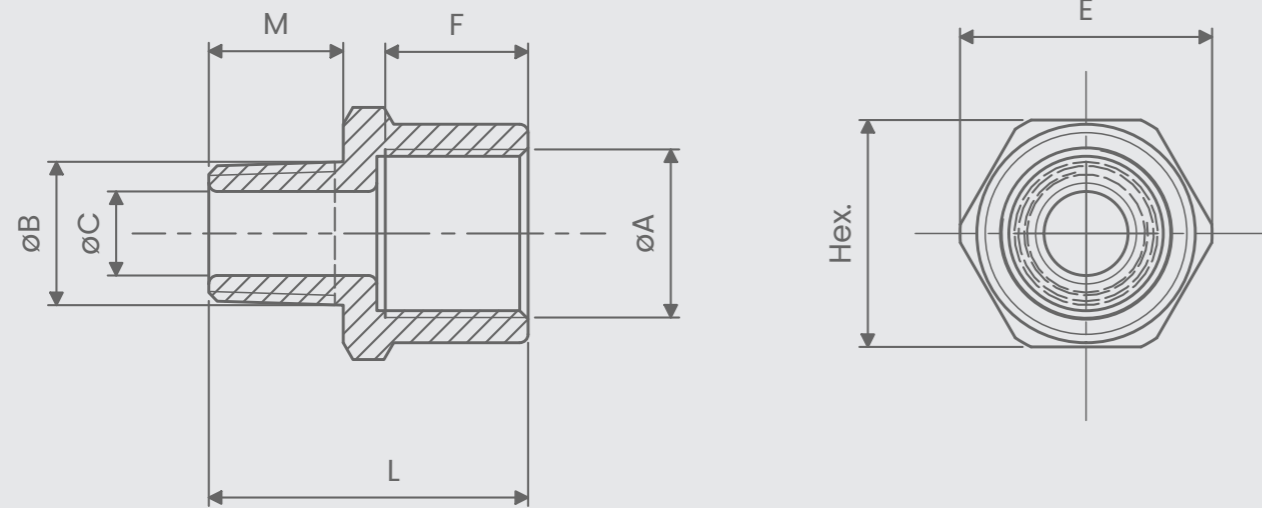
REDUCER FEMALE / MALE

NPT - ISO



Code	Ø A	Ø B	M	F	L	Hex	ØC	E
REB38N16MB	3/8"	M16x1.5	15	16	37	24	10	27
REB1N20MB	1/2"	M20x1.5	15	18	39	27	13	30
REB2N20MB	3/4"	M20x1.5	15	18	39	30	13	33
REB3N20MB	1"	M20x1.5	15	23	44	38	13	42
REB2N25MB	3/4"	M25x1.5	15	23	39	30	19	33
REB3N25MB	1"	M25x1.5	15	23	44	38	19	42
REB3N32MB	1"	M32x1.5	15	23	44	38	25	42
REB4N32MB	1.1/4"	M32x1.5	16	24	44	48	25	52
REB4N40MB	1.1/4"	M40x1.5	18	24	46	48	32	52
REB5N40MB	1.1/2"	M40x1.5	18	24	46	56	32	61
REB5N50MB	1.1/2"	M50x1.5	18	24	46	56	38	61
REB6N50MB	2"	M50x1.5	18	24	46	70	38	76
REB6N63MB	2"	M63x1.5	18	24	46	70	50	76

ISO - NPT



Code	Ø A	Ø B	M	F	L	Hex	ØC	E
REB16M38NB	M16x1.5	3/8"	15	17	38	22	10	24
REB20M1NB	M20x1.5	1/2"	17	17	40	27	13	30
REB25M1NB	M25x1.5	1/2"	17	17	40	30	13	34
REB25M2NB	M25x1.5	3/4"	17	17	40	30	19	34
REB32M1NB	M32x1.5	1/2"	17	17	40	38	13	42
REB32M2NB	M32x1.5	3/4"	17	17	40	38	19	42
REB32M3NB	M32x1.5	1"	23	17	45	38	25	42
REB40M3NB	M40x1.5	1"	23	20	47	45	25	50
REB40M4NB	M40x1.5	1.1/4"	23	20	47	45	32	50
REB50M4NB	M50x1.5	1.1/4"	23	20	47	56	32	60
REB50M5NB	M50x1.5	1.1/2"	23	20	47	56	38	60
REB63M5NB	M63x1.5	1.1/2"	23	20	47	70	38	75
REB63M6NB	M63x1.5	2"	23	20	47	70	50	75