



ETS series Rotating electromechanical siren



MECHANICAL FEATURES

Body and cover:	Low copper content aluminium alloy
Protection:	Chrome coloured ABS plastic
Gasket:	Acid, hydrocarbon and high temperature resistant silicone
Bolts and screws:	Stainless steel
Mounting:	Direct to 3/4" entry or with mounting bracket (available on request)
Entries:	1 x 3/4" Rc UNI ISO 7/1
Coating:	Epoxy vinyl coating Ral 7000 (squirrel grey)

ELECTRICAL FEATURES

ETS60/109 signaller

Rated voltage:	Vac/dc $\pm 10\%$	12	24	48	110	230
Frequency:	Hz	50/60	50/60	50/60	50/60	50/60
Current:	A	15,6	10	3,4	1,1	0,6
Operation:	Intermittent					

ETS60/114 signaller

Rated voltage:	Vac/dc $\pm 10\%$	12	24	115	230
Frequency:	Hz	50/60	50/60	50/60	50/60
Current:	A	11,7	5,9	1,6	0,9
Operation:	Intermittent				

ACCESSORIES AVAILABLE / SPECIAL REQUESTS

Cable gland: FGAB2BK (or equivalent) for armoured cable or FB2BK (or equivalent) for non-armoured cable
 Adjustable support bracket
 Epoxy vinyl coating in different colours
 NPT or ISO M25 threads
 Different rated voltages



Code	Intermittent operation	Voltage	Sound level		Weight kg	mm
			Frequency	Db/m		
ETS60/109DB12V	2 Min. ON / 5 Min. OFF	12 V Ac/Dc	1150 Hz	109	2,8	230x140x140
ETS60/109DB24V	2 Min. ON / 5 Min. OFF	24 V Ac/Dc	1250 Hz	109	2,8	230x140x140
ETS60/109DB48V	2 Min. ON / 5 Min. OFF	48 V Ac/Dc	1300 Hz	109	2,8	230x140x140
ETS60/109DB115V	2 Min. ON / 5 Min. OFF	115 V Ac	1300 Hz	109	2,8	230x140x140
ETS60/109DB230V	2 Min. ON / 5 Min. OFF	230 V Ac	1300 Hz	109	2,8	230x140x140
ETS60/114DB12V	2 Min. ON / 5 Min. OFF	12 V Ac/Dc	650 Hz	114	3,4	260x140x140
ETS60/114DB24V	2 Min. ON / 5 Min. OFF	24 V Ac/Dc	650 Hz	114	3,4	260x140x140
ETS60/114DB115V	2 Min. ON / 5 Min. OFF	115 V Ac	650 Hz	114	3,4	260x140x140
ETS60/114DB230V	2 Min. ON / 5 Min. OFF	230 V Ac	650 Hz	114	3,4	260x140x140

DIMENSIONAL DRAWINGS

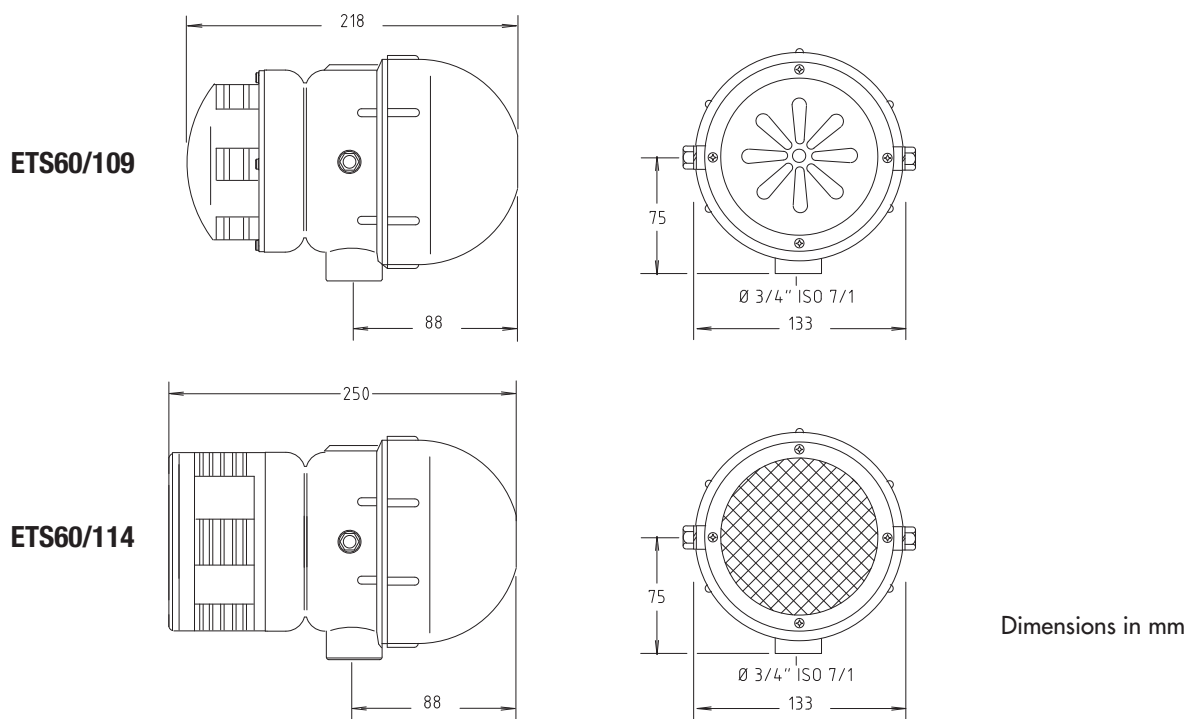


ILLUSTRATION	DESCRIPTION	FEATURES	CODE	KEY
	Adjustable support bracket	Material: galvanised steel	K-340	
			K-340/1	
	Cable gland	For cable gland models and codes see www.antideflagrante.com	FGAB2BK FB2BK	